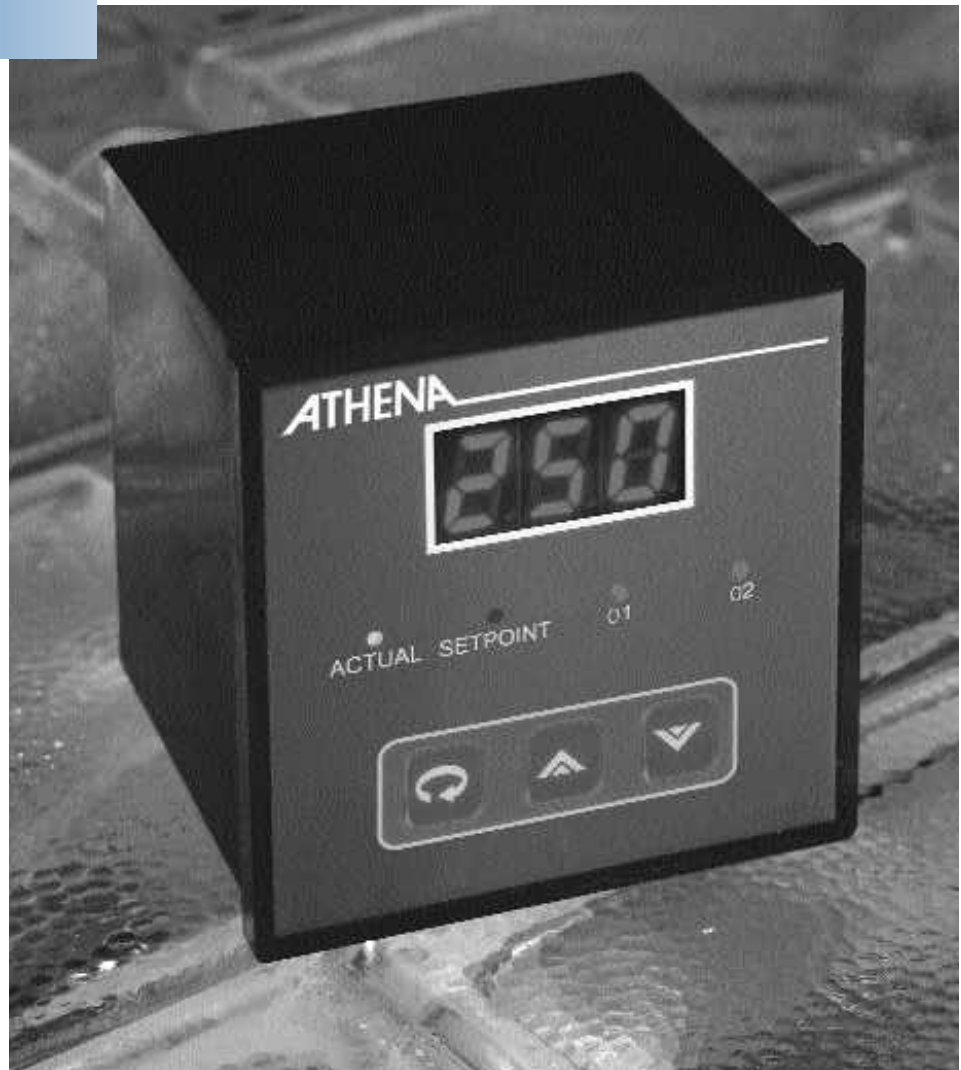
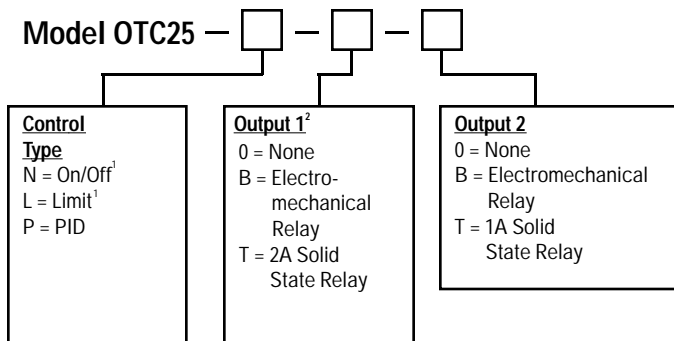


1/4 DIN Digital Temperature Controller

- Large, Easy-to-Read LED Display, Selectable for Either Setpoint or Process Temperature
- Accepts Type J (OTC25-N & L) or Type J and K (OTC25-P) Thermocouple Input
- Adjustable Output Hysteresis to Prevent Rapid Cycling Around Setpoint Temperature
- Adjustable Deviation Alarm Flashes When Measured Temperature Exceeds or Falls Below Setpoint Temperature
- NEMA 4X (IP65) Front Bezel, Splash-Proof and Resistant to Dust
- Discrete Status Indicators Illuminate When Temperature Display, Setpoint Display, Limit Display, or Heat/Cool Output Is Active



Ordering Information



¹ On/Off and limit control versions (OTC25-N and OTC25-L) are only available with Type J thermocouple input.

² Limit control versions (OTC25-L) may only be ordered with electromechanical relay (Type "B") outputs in Output 1.



SPECIFICATIONS

OPERATING LIMITS

Line Voltage	100 to 250 V 50/60 Hz
Power Consumption	Less than 6 VA (instrument)
Operating Temperature	32° to 140°F (0° to 60°C)
Humidity Tolerance	90% R.H. maximum, non-condensing

PERFORMANCE

Accuracy	±0.3% of FS, ± one digit
Temperature Stability	5 µV/°C maximum
TC Cold End Tracking	0.05°C / °C ambient
Noise Rejection	Common mode > 100 dB Series mode > 70 dB
Process Sampling	3.7 Hz (270 ms)

CONTROL CHARACTERISTICS

Setpoint Limits	0° to 900°F (0° to 482°C)
Control Hysteresis	2° to 252°F (1° to 140°C)
Display Offset	-126° to +126°F (-70° to 70°C)
Deviation Alarm	Off, 1° to 252°F (Off, 1° to 140°C)

INPUTS

Thermocouple	OTC25-N	Type J
	OTC25-L	Type J
	OTC25-P	Type J or K
Maximum lead resistance, 100 ohms for rated accuracy		

OUTPUTS

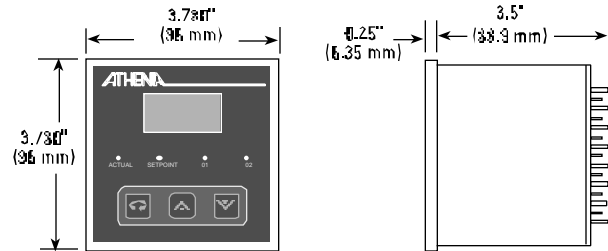
B	Electromechanical relay, 5A @ 120 Vac, 3A @ 240 Vac
T	Solid-state relay, 2 A (Output 1), 1 A (Output 2)

MECHANICAL CHARACTERISTICS

Display	3-digit, 0.56" Orange
Discrete Indicators	Setpoint: Amber Actual: Amber O1: Orange O2: Orange Limit: Orange
Front Panel Rating	NEMA 4X (IP65)
Connections	Fast-on style

Specifications subject to change without notice.

Panel Cutout: 3.622" sq. (92 mm)



Front Panel Controls and Indicators

Three-Digit LED Display

Displays measured temperature, setpoint, or parameter labels and settings.



Parameter Key

Used to access available parameters to set or change values.



Raise Key

Used to scroll up through available parameter settings or to increase values. (Hold for fast-step progression)



Lower Key

Used to scroll down through available parameter settings or to decrease values. (Hold for fast-step progression)

Discrete LED Indicators

OTC25 N

Actual: amber
Setpoint: amber
Heat: orange

OTC25 L

Actual: amber
Setpoint: amber
Limit: orange

OTC25 P

Actual: amber
Setpoint: amber
Output 1: orange
Output 2: orange