

## Solid State Power Controls

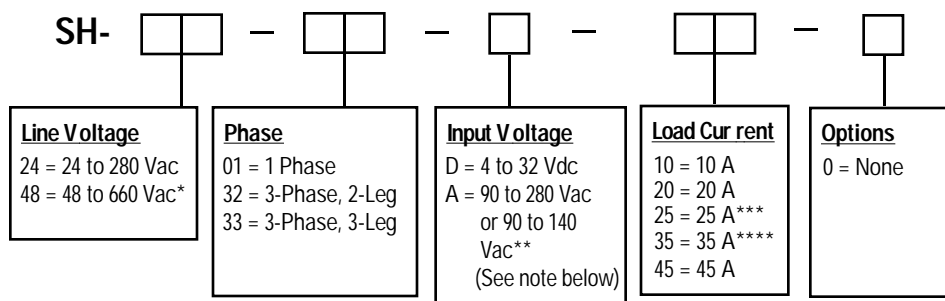
Capable of being DIN-rail or panel mounted, the SH Series solid-state power controllers are available in single-phase; three-phase, three-leg; or three phase, two-leg versions.

They provide high-reliability control of resistive heating loads to 45 amps.

- Current ratings from 10 to 45 A
- Output voltage rating to 660 Vac
- Zero-cross firing eliminates RFI/EMI
- AC or DC control inputs
- Optical isolation
- Maintenance-free
- Replaces mercury and mechanical contactors
- Extends heater life by reducing thermal shock
- Input LED indication
- 32 to 122° F (0 to 50° C) operating temperature
- CE approved; UL and cUL recognized



## Ordering Information



Note: Available input voltage range is 90 to 140 Vac for 24 to 280 volt, single-phase, 10 A and 20 A units and 48 to 660 volt, single-phase, 20 A units. All others are available with input ranges from 90 to 280 Vac.

\* Not available with 10 A model.  
 \*\* Requires Athena Model "B" output device.  
 \*\*\* Current rating of 25 A only available on 3-phase, 3-leg models.  
 \*\*\*\* Current rating limited to 35 A on 3-phase, 2-leg models.



## SPECIFICATIONS

### INPUT SPECIFICATIONS

	Model D (DC)	Model A (AC)
Control Voltage	4-32 Vdc	90-140 Vac
Drop-Out Voltage	1.0 Vdc	10 Vac
Maximum Input Current	12 mA	6 mA

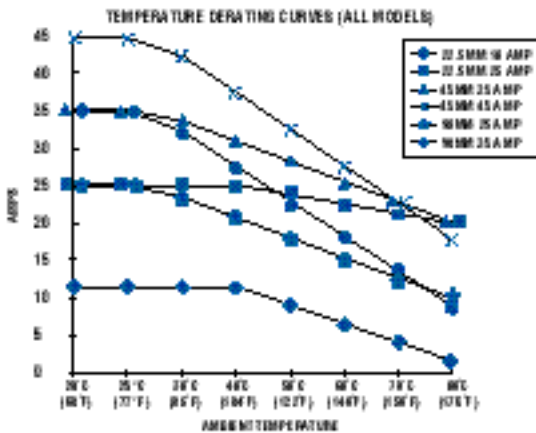
### OUTPUT SPECIFICATIONS

Continuous On-State Current	
1-phase	10 A, 20 A, 35 A, 45 A
3-phase, 3-leg models	25 A
3-phase, 2-leg models	35 A
Minimum On-State Current	0 to 1 A
On-State Voltage Drop	1 to 6 V peak

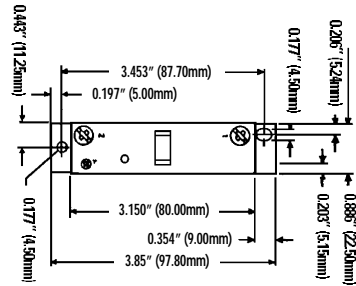
### GENERAL SPECIFICATIONS

Operating Temperature	-4 to 176° F (-20 to 809° C)
Storage Temperature	-40 to 212° F (-40 to 100° C)
Input/Output Isolation Voltage	4000 V <sub>rms</sub>
Input/Output to Ground Isolation Voltage	4000 V <sub>rms</sub>
Line Voltage	24 to 280 Vac or 48 to 660 Vac
Line Frequency	47 to 63 Hz

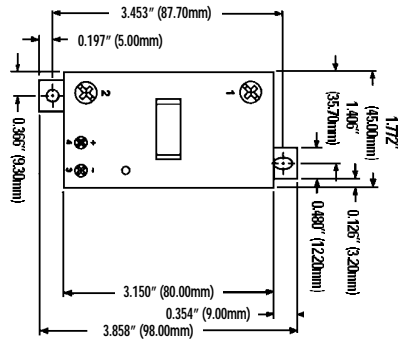
Specifications subject to change without notice.



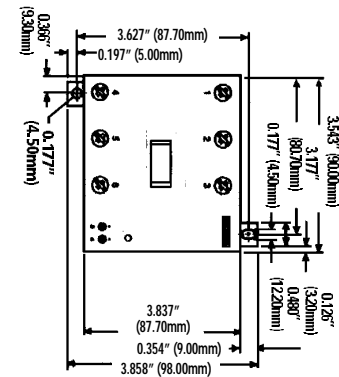
### SINGLE-PHASE 22.5 MM (10 A, 20 A) DIN RAIL SSR



### SINGLE-PHASE 45 MM (35 A, 45 A) DIN RAIL SSR



### THREE-PHASE 90 MM (25 A, 35 A) DIN RAIL SSR



### DEPTH (all models)

